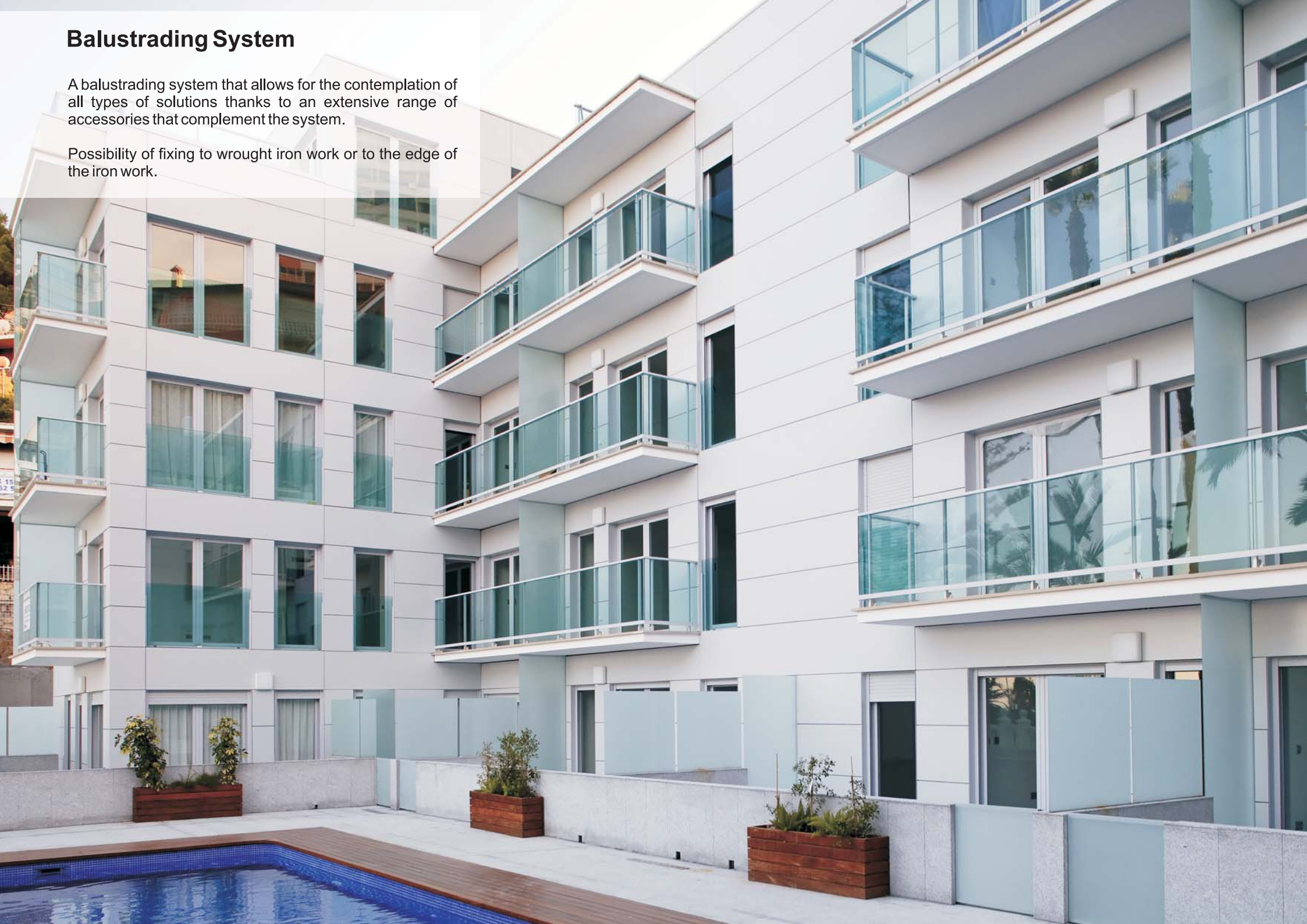


Balustrading System

A balustrading system that allows for the contemplation of all types of solutions thanks to an extensive range of accessories that complement the system.

Possibility of fixing to wrought iron work or to the edge of the iron work.



Balustrading System

Possibilities

- Glass Balustrading
- Glass Balustrading with free top edge
- Bar Balustrading
- Bar Balustrading with top edge

Handrail possibilities

- Square - 60 mm. width
- Circular - 66 mm diameter
- Elliptical - 80 mm. external perimeter

Finishes

- Colour powder coating (RAL, mottled and rough)
- Wood effect powder coating
- Anti-bacterial powder coating
- Anodized

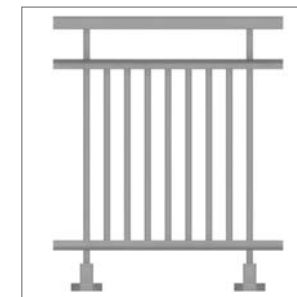
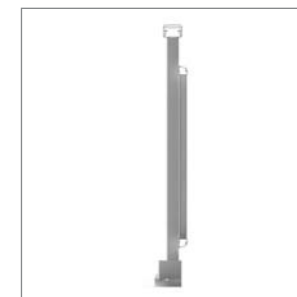
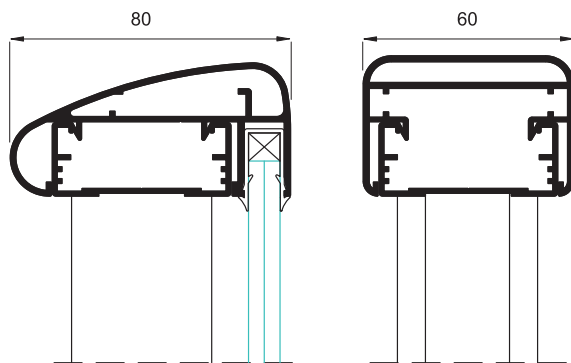
Tests according to EN 85.237-1991 norms EN 85.238-1991 & EN 85.240-1990

- 1-Static horizontal test towards the exterior
- 2-Static horizontal test towards the interior
- 3-Static vertical test
- 4-Dynamic test with mild object
- 5-Dynamic test with hard object
- 6-Security test

(EN 85.240:1990): Class A- EXCELLENT

Reference test on the balustrading with glass at total height 1.100 mm.(H) x 2.450 mm.(L) and 3 pilasters.

Reference test on the balustrading with top free edge bar of 1100 mm (H) x 2000 mm (L) and 3 pilasters



Maximum dimensions between pilasters

1.000 mm.

Minimum height

900 mm.