

## Cor-Vision Plus Sliding System with thermal break

Minimalistic sliding system specially suitable for large dimensions, which allows to have the maximum luminosity with the minimum visible section of aluminium, and makes possible to cover great openings with a glass surface of 94%.

Its extraordinary glazing capacity allows to place glasses of up to 54 mm thickness which guarantees the best acoustic and thermal performance in a system with these characteristics.

It is available in configurations of fixed and sash, 2 and 4 sashes, and the maximum dimensions are 4.000 mm/sash width / height.

It has a visible section of just 25 mm and the possibility to inlay totally the bottom, lateral and top frames.

It counts with the possibility of motorized opening for weights up to 700 kg, and manual opening for up to 400 kg. Additionally, it allows to place multipoint lock systems by operating rod, with or without key.

The rollers are placed in the frame, and the sashes count with a stainless steel reinforced channel which makes the sliding movement smoother.

That is a system with a traditional procedure of assembling with a perimeter frame, 45 degree cut; and straight cut in the sashes, which allows to disassemble the sash in case of break of the glass, imperfection in the aluminium profile,...



# Cor-Vision Plus Sliding System with thermal break

## Transmittance

Uw from 0,9 (W/m²K)

Please consult typology, dimensions and glass

## Acoustic insulation

Maximum glazing: 54 mm.

Maximum acoustic insulation **Rw=43 dBA**

## Finishes

Possibility of dual colour

Colour powder coating (RAL, mottled and rough)

Wood effect powder coating

Anti-bacterial powder coating

Anodized



## Sections

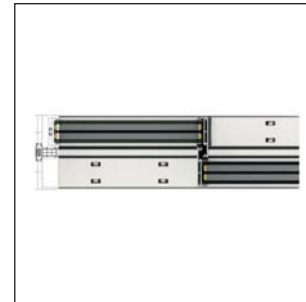
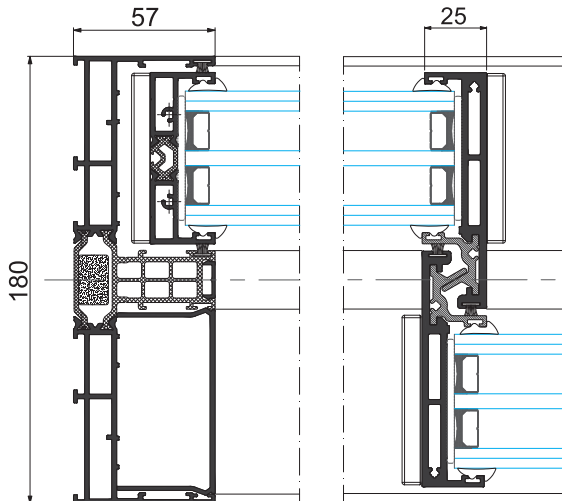
Frame 180 mm.

Sash 69 mm.

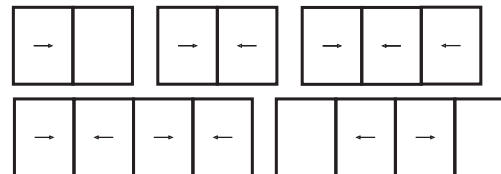
## Profile thickness

Door 2,0 mm.

Polyamide strip length from 18 mm. to 40 mm.



## Opening possibilities



Sliding of 2, 3 & 4 sashes.  
Possibility of 1 rail (1 sash+1 fixed light).

## Maximum dimensions/sash

Width (L) = 4.000 mm.  
Height (H) = 4.000 mm.  
Glass surface ≤ 14 m²

## Maximum weight/sash

400 Kg Manual  
700 Kg Motorized

Please consult regarding maximum weight and dimensions for other opening types